

# Technical data sheet

Product features



## Slicer gear, blade 300 mm plain

<b>Model</b>	<b>SAP Code</b>	00001186
--------------	-----------------	----------

- Blade type: Smooth
- Blade diameter [mm]: 300
- Cutting thickness [mm]: 0 - 14
- Useful Cut [mm]: 265 x210
- Transfer type: Snail
- Material: Aluminium
- Safety cover: transparent plexiglass
- Safety element: motor with fan and overheating protection  
stainless steel blade guard  
transparent finger protection
- Suitable consumer: suitable for large establishments
- Table position: Oblique
- On/Off button: Yes
- Continuous work limit: running time without limitation

<b>SAP Code</b>	00001186	<b>Loading</b>	230 V / 1N - 50 Hz
<b>Net Width [mm]</b>	580	<b>Blade type</b>	Smooth
<b>Net Depth [mm]</b>	480	<b>Blade diameter [mm]</b>	300
<b>Net Height [mm]</b>	515	<b>Cutting thickness [mm]</b>	0 - 14
<b>Net Weight [kg]</b>	20.80	<b>Useful Cut [mm]</b>	265 x210
<b>Power electric [kW]</b>	0.320		

# Technical data sheet

Technical drawing



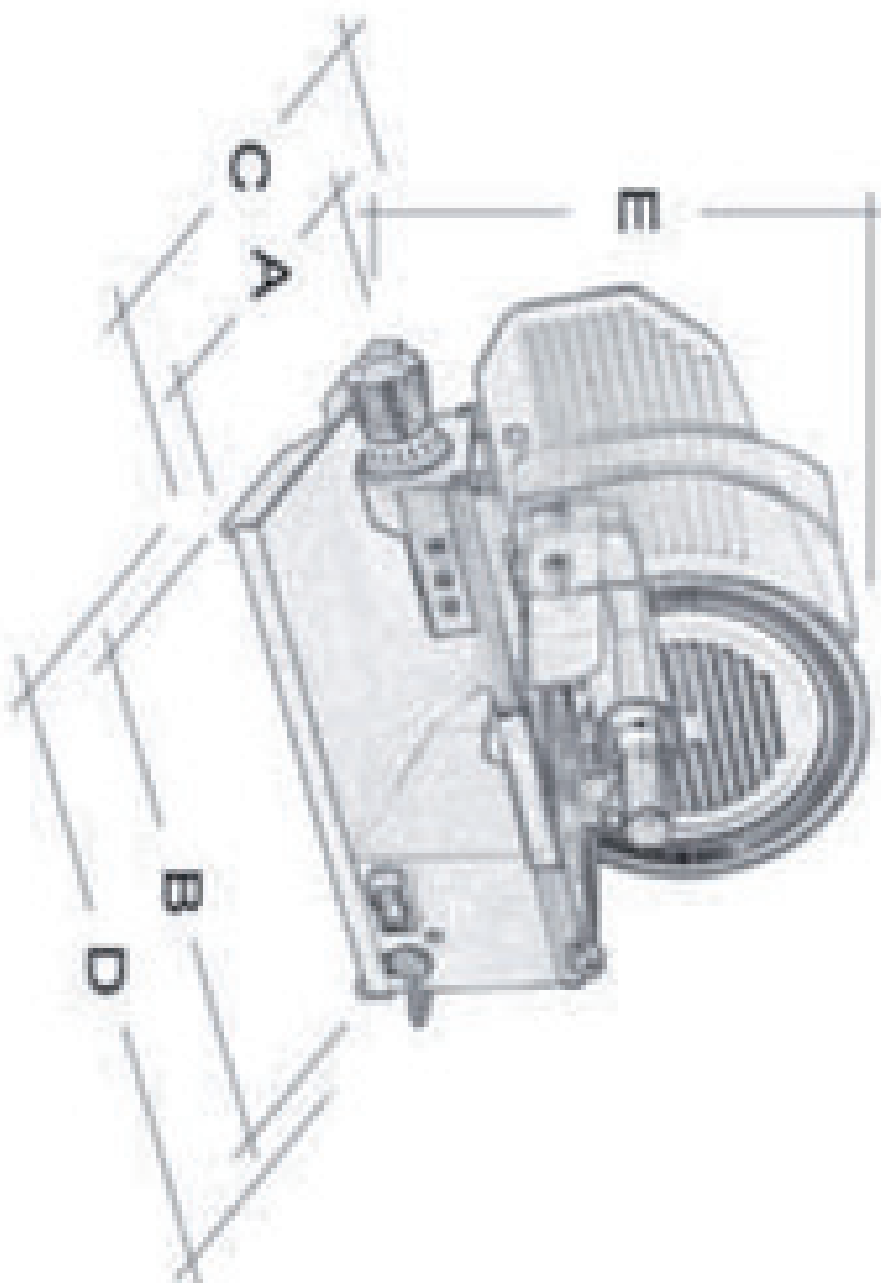
Slicer gear, blade 300 mm plain

Model

SAP Code

00001186

Model	A	B	C	D	E
GMS 220	275	375	380	445	370
GMS 250	275	430	425	525	380
GMS 275 XL	350	490	480	510	400
GMS 300	350	490	480	580	515



# Technical data sheet

## Product benefits



### Slicer gear, blade 300 mm plain

Model

SAP Code

00001186

1

#### Aluminum alloy body

- robustness  
purity
- long service life
  - very easy to clean

2

#### Worm gear

- long service life
- thanks to the worm gear and the more powerful motor, it can be used de facto continuously

3

#### Anti-stick treatment of the knife including anti-stick grooves

- less adhesion of the sliced food to the knife
- thanks to the blade design, even softer foods can be cut, saving costs and time

4

#### Fan-cooled motor with overheating protection

- greater capacity of processed food  
long life
- can work longer thanks to cooling
  - less risk of overheating and engine damage due to cooling

5

#### Finger protection

- high operational safety
- the finger guard minimises the risk of accidents at work

6

#### Large blade diameter

- variability
- thanks to the large diameter of the knife, even large pieces of food can be processed

7

#### Grinding equipment included in the price

- guaranteed sharpness of the knife  
quick maintenance
- no additional costs for external grinding
  - easy maintenance
  - immediate solution
  - time saving

# Technical data sheet

Technical parameters



## Slicer gear, blade 300 mm plain

Model

SAP Code

00001186

**1. SAP Code:**

00001186

**2. Net Width [mm]:**

580

**3. Net Depth [mm]:**

480

**4. Net Height [mm]:**

515

**5. Net Weight [kg]:**

20.80

**6. Gross Width [mm]:**

610

**7. Gross depth [mm]:**

530

**8. Gross Height [mm]:**

560

**9. Gross Weight [kg]:**

23.40

**10. Device type:**

Electric unit

**11. Material:**

Aluminium

**12. Power electric [kW]:**

0.320

**13. Loading:**

230 V / 1N - 50 Hz

**14. Control type:**

Mechanical

**15. Safety cover:**

transparent plexiglass

**16. Safety element:**

motor with fan and overheating protection  
stainless steel blade guard  
transparent finger protection

**17. Suitable consumer:**

suitable for large establishments

**18. Engine protection:**

fan and overheating protection

**19. Start /stop:**

Yes

**20. Transfer type:**

Snail

**21. Blade type:**

Smooth

**22. Blade diameter [mm]:**

300

**23. Useful Cut [mm]:**

265 x210

**24. On/Off button:**

Yes

**25. Continuous work limit:**

running time without limitation

**26. Removable moving table:**

Yes

# Technical data sheet

Technical parameters



Slicer gear, blade 300 mm plain

Model

SAP Code

00001186

**27. Anti-adhesive blade treatment:**

Yes

**30. Sharpening device:**

Additional included in the price

**28. Table position:**

Oblique

**31. Blade hardness:**

58-59 HRC

**29. Blade cover material:**

Stainless steel

**32. Cutting thickness [mm]:**

0 - 14